

4

3

2

1

THIS DRAWING IS UNPUBLISHED.
DIFFUSION RESTREINTERELEASED FOR PUBLICATION
LIBRE A LA DIFFUSION

2011

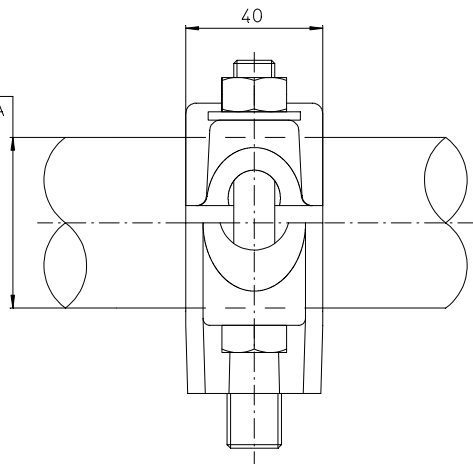
© COPYRIGHT 2011 by Tyco Electronics Corporation

ALL RIGHTS RESERVED.
TOUS DROITS RESERVESLOC
—
DIST
—

REVISIONS

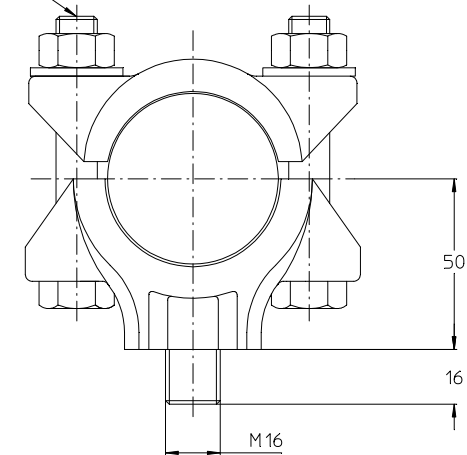
P	LTR REV	DESCRIPTION MODIFICATIONS	DATE	DWN DESS	APVD APPR
	O	EQ00-0170-99	30-Mar-99	EN	HV
	A	UPDATED DRAWING	17-May-13	PG	-
	B	UPDATED DRAWING	08-Sep-14	PG	-


Tube ø 50
Tube 50DIA
Tubo ø 50



60 Nm

- 2 Boulons ø12 acier inox A2
- 2 Bolts 12DIA stainless steel A2
- 2 Tornillos ø12 acero inoxidable A2



THIS DRAWING IS A CONTROLLED DOCUMENT. <small>LE PLAN EST UN DOCUMENT CONTROLÉ PAR TYCO ELECTRONICS CORPORATION IL EST SUSCEPTIBLE D'ÊTRE REVISÉ POUR OBTENIR LA DERNIÈRE RÉVISION CONTACTER LE SERVICE TECHNIQUE DE TYCO ELECTRONICS SHEL SAS 4200 LEVENEY-CHAMBERTIN, FRANCE</small>		DWN /DESSINE NVOIS 30-Mar-99	 TE connectivity SIMEL PRODUCTS		
DIMENSIONS: mm		CHK/VERIFIE -			
TOLERANCES UNLESS OTHERWISE SPECIFIED PER TOLERANCES NON SPECIFIEES SELON : -		APVD/APPROUVE -	SIZE FORMAT A3	CAGE CODE 00779	DRAWING NO No PLAN 713660
MATERIAL MATIERE -		FINISH FINITION -	WEIGHT MASSE APPROX. 0.4 Kg	RESTRICTED TO RESERVE A -	UNIQUEMENT POUR REFERENCE
CUSTOMER DRAWING /PLAN CLIENT			SCALE ECHELLE 2/3	SHEET FEUILLE 1 OF DE 1	REV B

ITEM: